

Hardcast Solutions for ALL Your Duct Accessory Needs!

Hardware

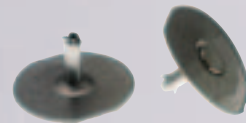
- Flexible Duct Connector
- Multi-Blade Damper Hardware
- Stand Off Regulators
- End Bearing Housing /Leak Resistant Kits
- Access Door Hardware
- Sheet Metal Screws & Miscellaneous Hardware
- Insulation Fasteners
- Damper Regulators
- Damper Accessories
- Vane Rail



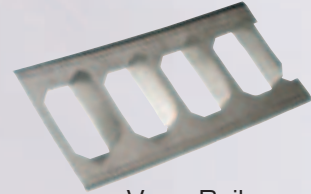
Flexible Duct Connector



Stand Off Regulator



Insulation Fasteners



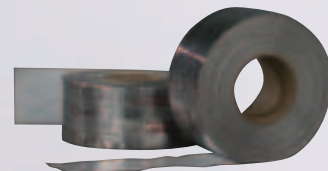
Vane Rail

Sealants

- Original Hardcast Two Part Sealing System
- Mastic Duct Sealants
- Rolled Elastomeric Duct Sealants
- General Construction Sealants



Mastic Duct Sealant



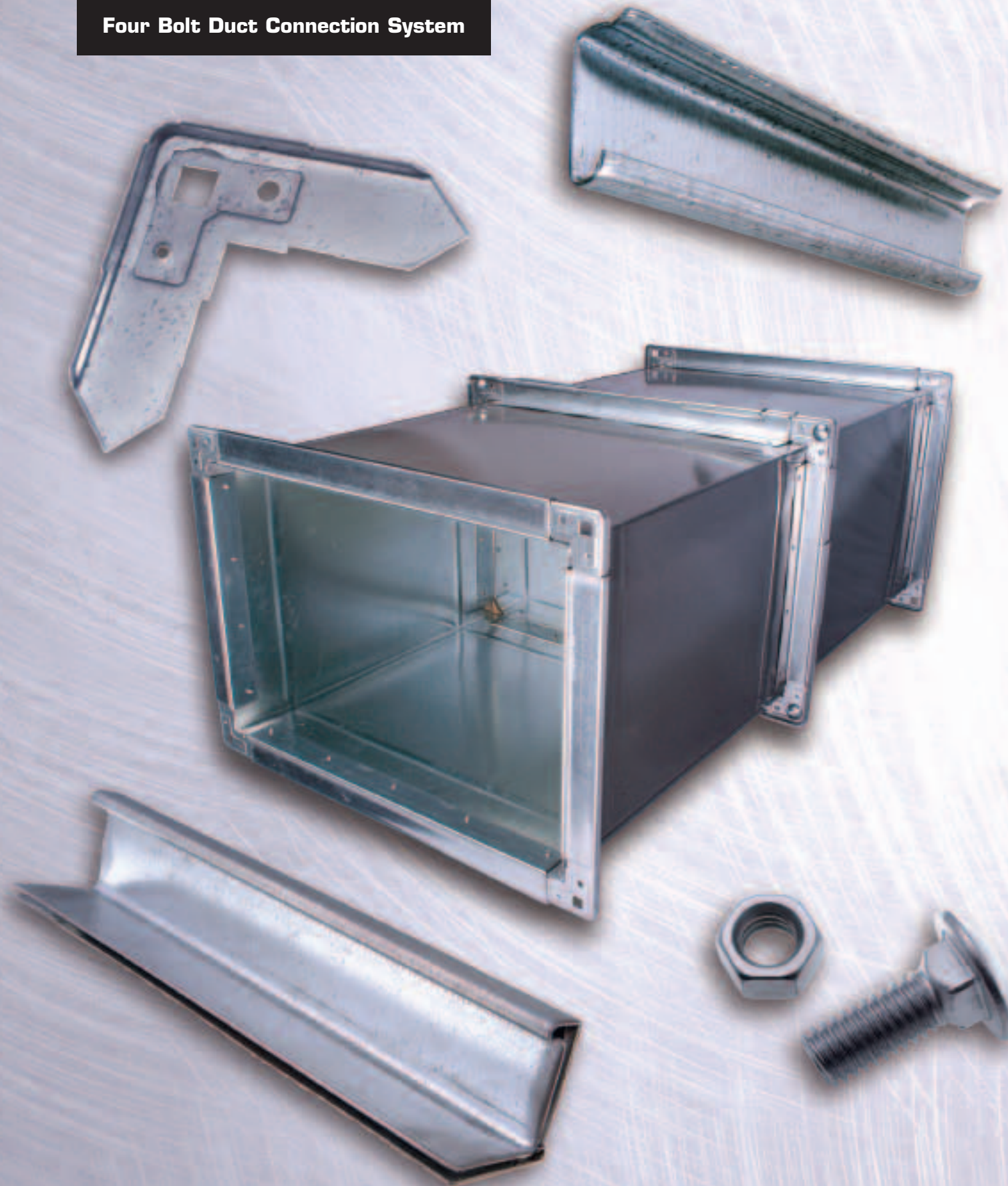
Rolled Elastomeric Duct Sealant

Adhesives

- Duct Liner Insulation Adhesives
- Adhesive Spray Delivery Systems



Duct Insulation Adhesives & Delivery System



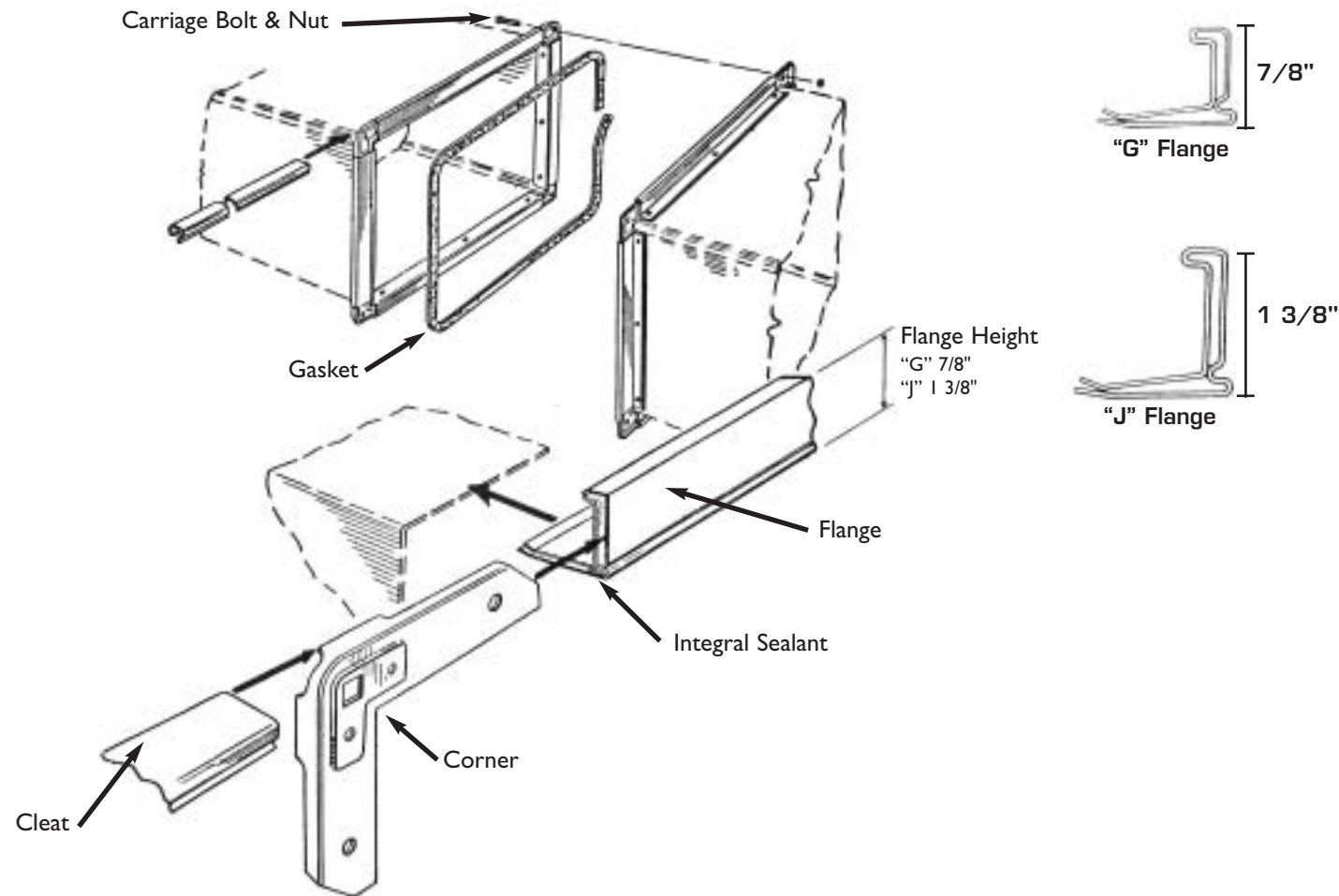
The Hardcast Four Bolt Duct Connection System is designed to provide a simple and effective means of connecting rectangular duct sections together. This connection system may be used on all rectangular duct from 14 GA to 26 GA, resulting in sealed joints with clean lines that are aesthetically pleasing.



PRODUCT DESCRIPTION:

The Hardcast Four Bolt Duct Connection System consists of 5 basic components:

- FLANGE:** available in two sizes: "G" 7/8" or "J" 1 3/8". Galvanized steel, hollow roll-formed section containing an integral sealant. The synthetic resin sealant has excellent adhesion to metal, is easy to work with, is non-flow to 180° F and retains its sealing properties indefinitely.
- CORNER:** a galvanized steel product that is flanged and embossed to provide strength and rigidity. The corner piece has a square bolt hole to accommodate compatible carriage bolts allowing field assemble with a single wrench. Corners are prepunched to accommodate #10 sheet metal screws.
- CLEAT:** a galvanized steel product designed to be used as a drive cleat or snap-on cleat.
- GASKET:** a high density, self-adhering gasket with the choice of EPDM, Butyl or Neoprene.
- BOLTS & NUTS:** short neck carriage bolt, hex nut, hot-dipped galvanized. Available in two sizes: "G" 3/4" X 3/16" or "J" 1" X 3/8".



Part#	Product Description	Packaging	Weight
Flanges			
308255	J Flange	20 ft lengths, 3,000 ft/bundle	2,130 lbs
308845	J Flange	20 ft lengths, 1,000 ft/bundle	710 lbs
308846	J Flange	12 ft lengths, 600 ft/bundle	425 lbs
308257	G Flange	20 ft lengths, 3,000 ft/bundle	1,530 lbs
308849	G Flange	20 ft lengths, 1,000 ft/bundle	510 lbs
308850	G Flange	12 ft lengths, 600 ft/bundle	305 lbs
Corners			
308259	J Corner	200 pcs/case	20 lbs
308261	G Corner	200 pcs/case	20 lbs
Cleats			
308263	Cut Cleat	500 pcs/case	36 lbs
308265	Snap/Drive Cleat	12.5 ft length	20 lbs/100 ft
Gaskets			
308632	EPDM Gasket	1/4" x 5/8" x 50 ft - 20 rolls/case	15 lbs
305547	Butyl Gasket	3/16" x 5/8" x 25 ft - 20 rolls/case	48 lbs
304607	Neoprene Gasket	1/4" x 3/4" x 25 ft - 16 rolls/case	6 lbs
J Nuts & Bolts			
308267	J Carriage Bolts	500 pcs/case	23 lbs
308269	J Nuts	500 pcs/case	7 lbs
G Nuts & Bolts			
308271	G Carriage Bolts	1,500 pcs/case	12 lbs
308273	G Nuts	1,500 pcs/case	5 lbs
TDC/TDF Corners			
308275	TDC Corner - case	250 pcs/case	30 lbs
308277	TDC Corner - drum	4,000 pcs/drum	500 lbs
308276	TDF Corner - case	250 pcs/case	30 lbs
308278	TDF Corner - drum	4,000 pcs/drum	500 lbs

